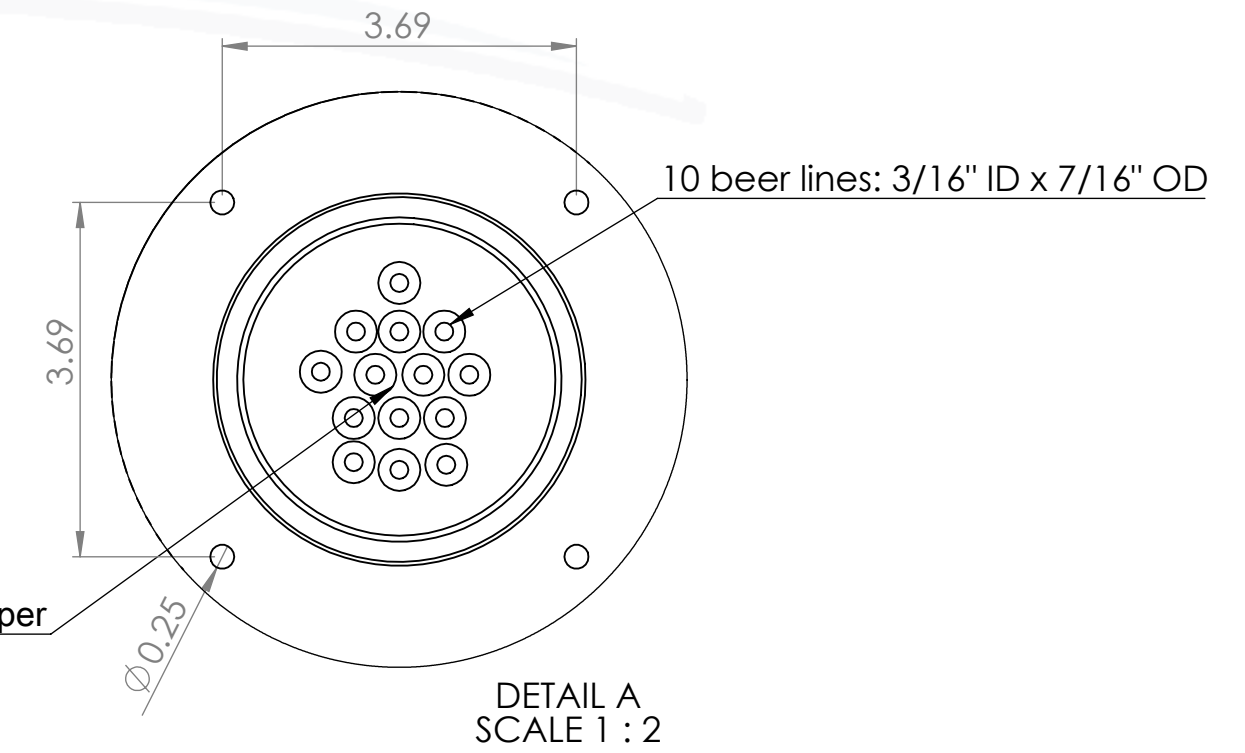
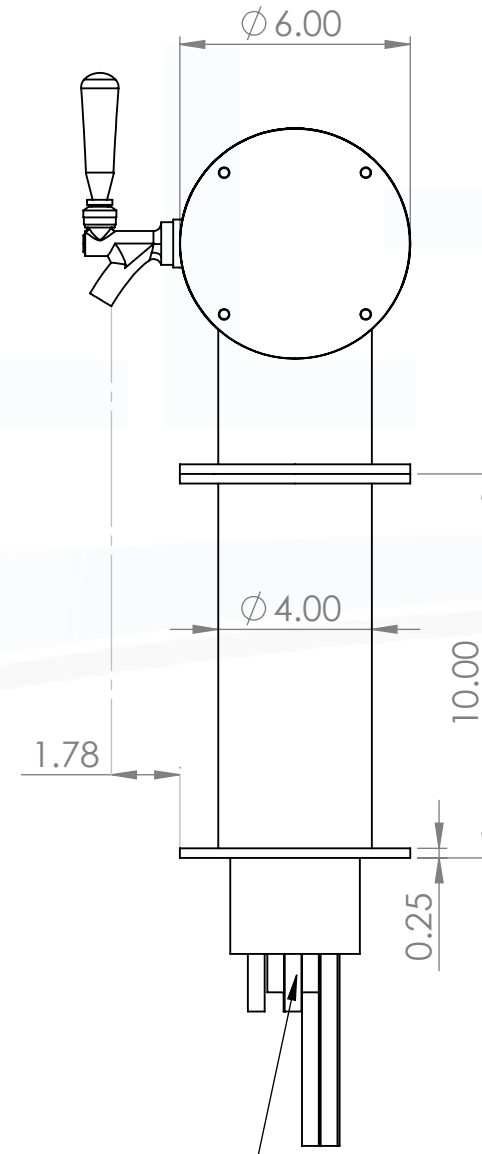


Isometric View
(For reference purpose only)

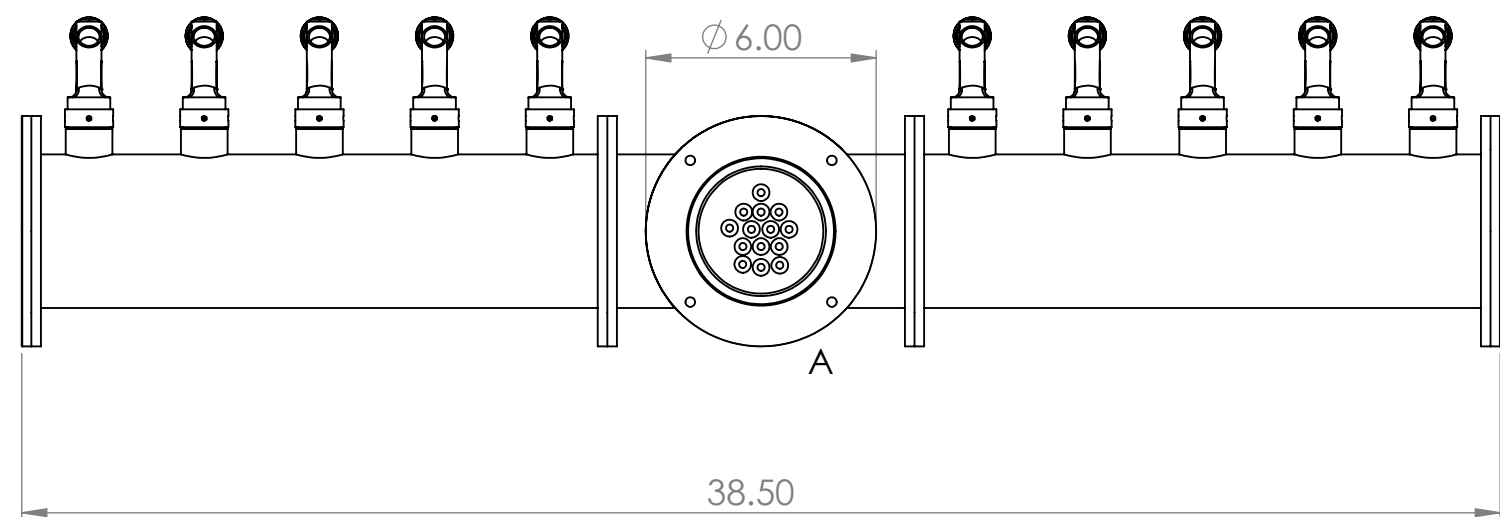


304SS tube connected to CBS NSF Flexible Total Barrier Tubing to 15lbs of Restriction

4 recirculation lines: 3/8" OD ACR copper

DETAIL A
SCALE 1 : 2

Suggested Drip Tray:
BB701336 - 36" x 7" BSS Drip Tray
BB702436 - 36" x 7" BSS Spray Drip Tray



Name		Date	Title:	
Drawn By:	Chillmax Beverages Solutions, LLC	09/11/2024	10 T (3"OC) BSS Condor Tower CH-MX CLD	
Approved By:	Production Manager		Part Number:	Revision:
Material:	304 SS	Finish:	Brushed SS	BB101810-10GC
Unless otherwise mentioned, dimensions are inches			Scale:	1:5